

Notes:

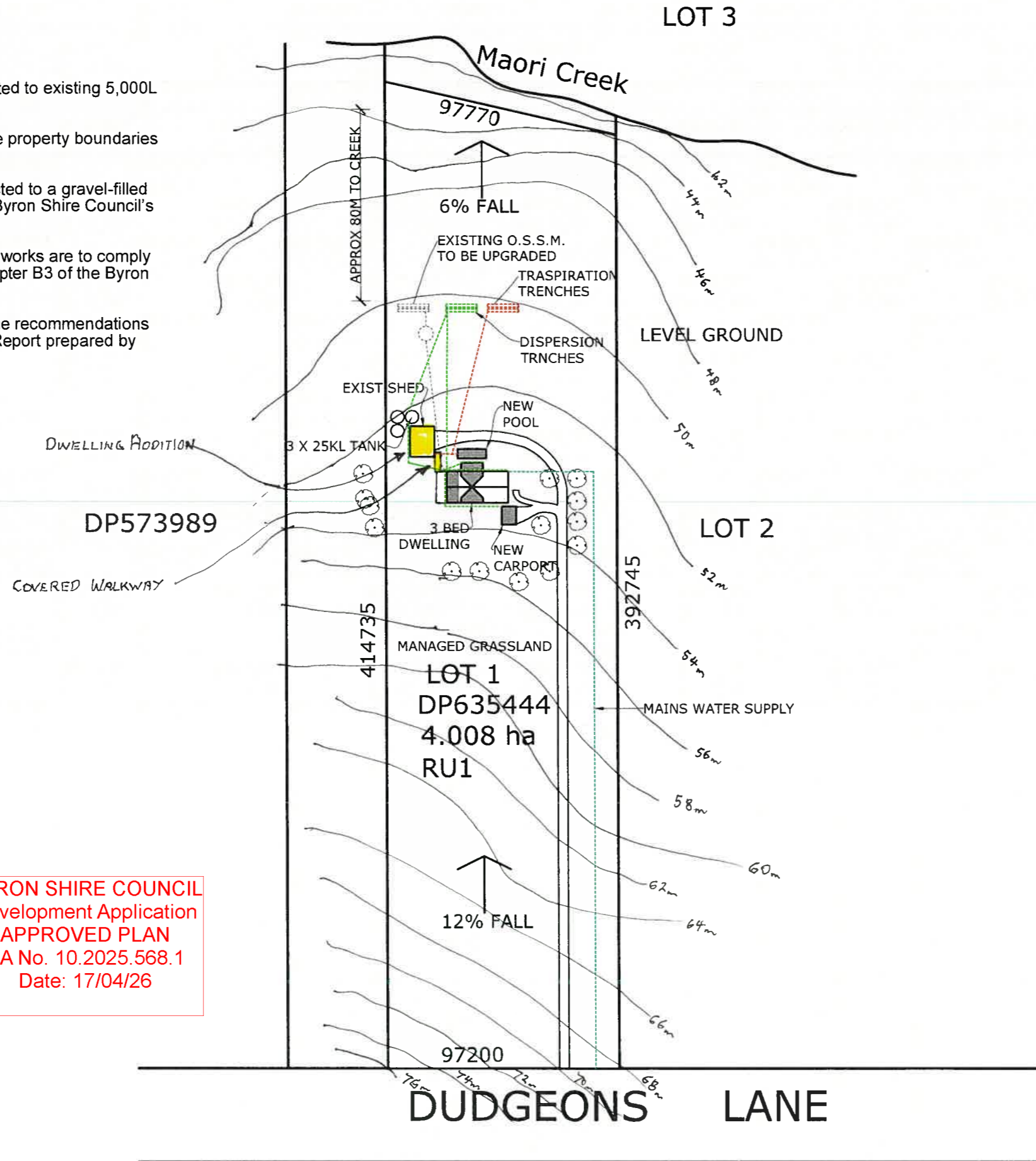
Roof water from the new additions is to be directed to existing 5,000L rainwater storage tanks located on site.

Overflow from tanks is to be dispersed within the property boundaries infiltration trenches.

Pool backwash and overflow water is to be directed to a gravel-filled transpiration trench system in accordance with Byron Shire Council's guidelines for rural properties.

All on-site stormwater and wastewater drainage works are to comply with Clause 6.5 of the Byron LEP 2014 and Chapter B3 of the Byron DCP 2014.

Works must be carried out in accordance with the recommendations of the approved On-site Sewage Management Report prepared by Sewage Solutions, dated 25/04/2024.

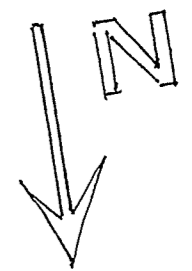


BYRON SHIRE COUNCIL
 Development Application
APPROVED PLAN
 DA No. 10.2025.568.1
 Date: 17/04/26

EXISTING DRIVEWAY

COVERED PARKING

Existing Dwelling and Approved Additions & Pool
Consent 10.2024.262.1 dated 27/11/24



CARAVAN SLAB

Proposed Connecting Covered Walkway

BYRON SHIRE COUNCIL
Development Application
APPROVED PLAN
DA No. 10.2025.568.1
Date: 17/04/26

POOL FENCE

15 x 5m POOL
85KL

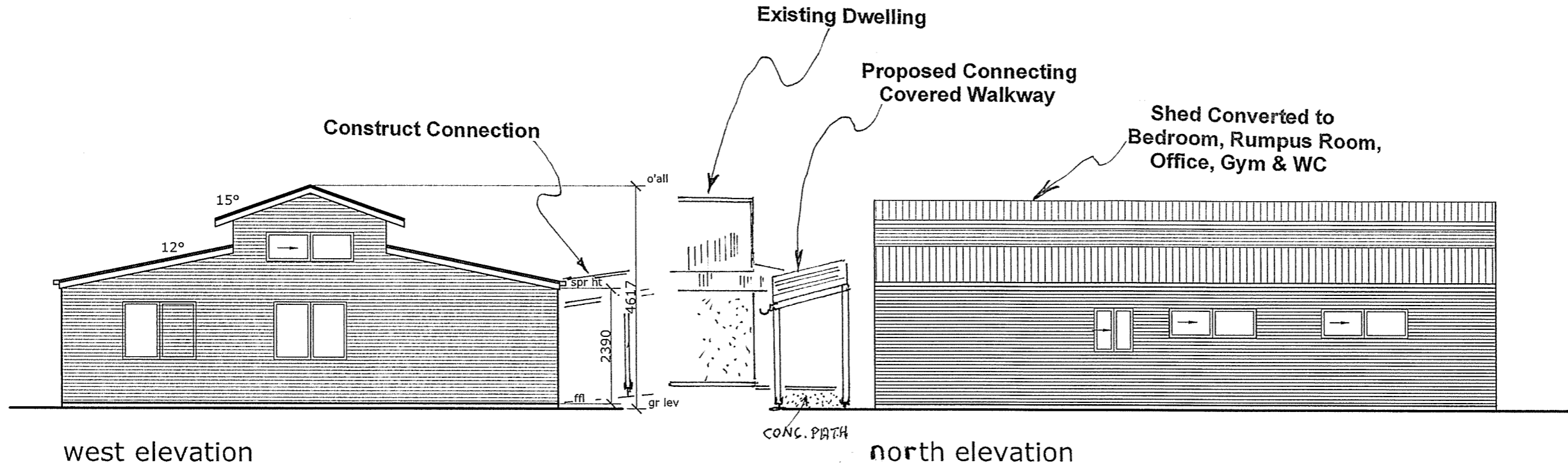
Shed Converted to
Bedroom, Rumpus Room,
Office, Gym & WC

3X 25KL-TANKS

INSET SITE PLAN

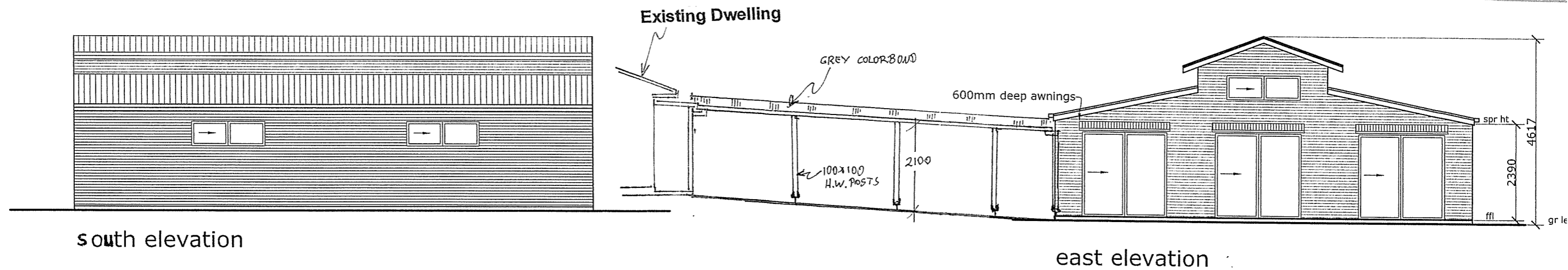
Construct Connection between Two Structures to create a Dwelling Addition comprising a recently altered shed.
Lot 1 D.P.635444 No 84 Dudgeons Lane Bangalow

Drawn C. Lonergan Scale 1:200 Dated 19/06/2025 Plan P1



west elevation

north elevation



south elevation

east elevation

BYRON SHIRE COUNCIL
 Development Application
 APPROVED PLAN
 DA No. 10.2025.568.1
 Date: 17/04/26